

## HJBM PLUS 35 T4 0,25kW (268363106)

### GENERAL DATA



SQUARE WALL PLATE FAN, VARIABLE PITCH BLADES AND HIGH EFFICIENCY MOTOR

#### MANUFACTURING FEATURES

- Squared frame in galvanized steel sheet with C4 anti-corrosion finish.
- Variable pitch angle polyamide impeller reinforced with fibreglass.
- Supplied with motor support and protection guard according to the UNE-EN 20-359-74 norm and the ROHS 2002/95/EC Directive (Restriction of the Use of Certain Hazardous Substances in Electrical and Electronic Equipments).
- High efficiency standard asynchronous squirrel-cage motor with IP-55 or IP-54 protection (wiring box IP-65) and Class F insulation. Manufactured with standard voltages: 230V 50Hz for single phase motors, 230/400V 50Hz for three phase motors.

#### APPLICATIONS

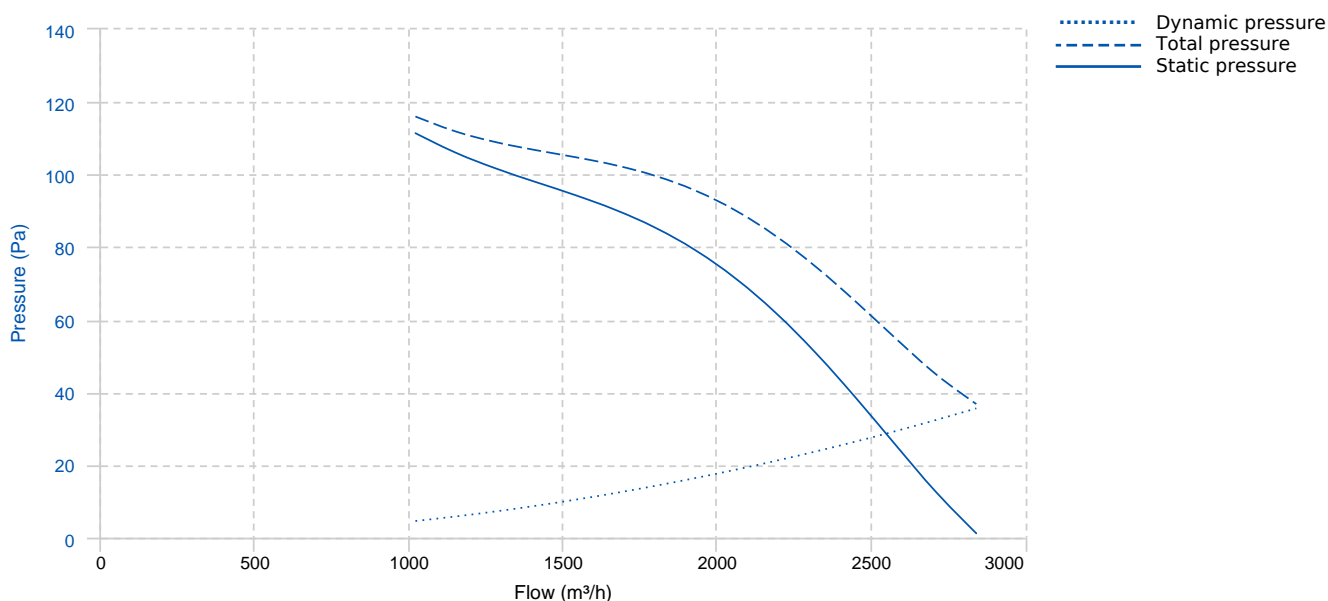
Designed for wall assembly, they are suitable for:

- Air renewal in buildings and industries.
- Maximum working temperature: single phase 50°C, three phase 60°C.

#### UNDER REQUEST

- Aluminium impeller.
- 60Hz fans.

### PERFORMANCE CURVE

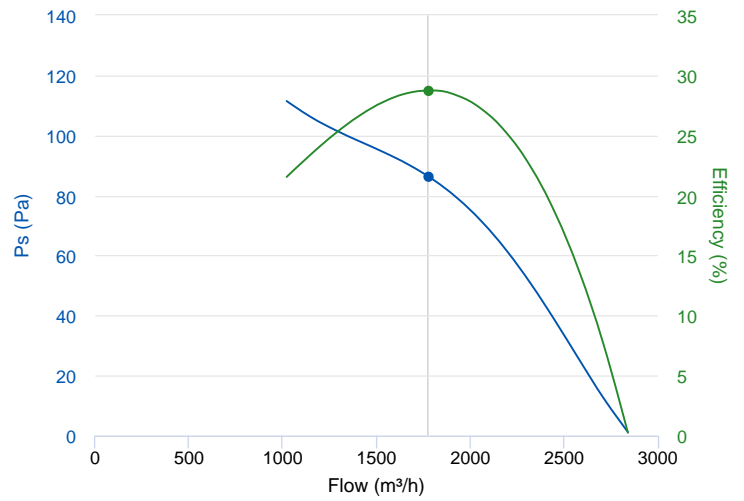


### TECHNICAL DATA

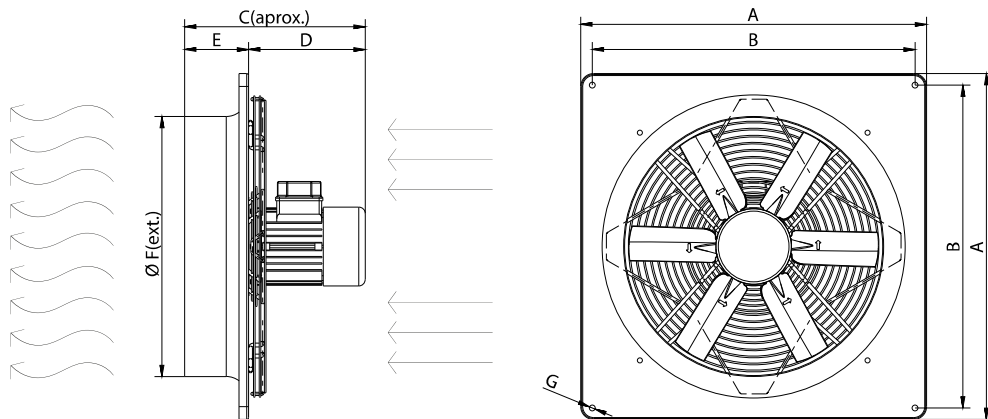
Fan							
RPM	1400	Approx. weight	6.5 kg	Max. Flow	2850 m³/h		
Motor							
Power	0,25 kW	RPM	1400	I max. (230V)	1,38 A	I max. (400V)	0,79 A
Size	71	Approx. weight	5.4 kg				

## ERP DATA

Fan data sheet		
Fan type	Axial fan	
Installation category	A: Outlet and Inlet free discharge	
Efficiency category	Static	
The fan has to be installed with VF	No	
Motor power (kW)	0.25	
	Fan values	ERP Requirements 2015
Max. efficiency (%)	28.74	28.43
Efficiency grade (N)	40.31	40
Pabs (kW)	0.148	
Flow (m <sup>3</sup> /h)	1779.99	
Static pressure (Pa)	86.18	
Speed (m/s)	1400	
Specific ratio	1.00	



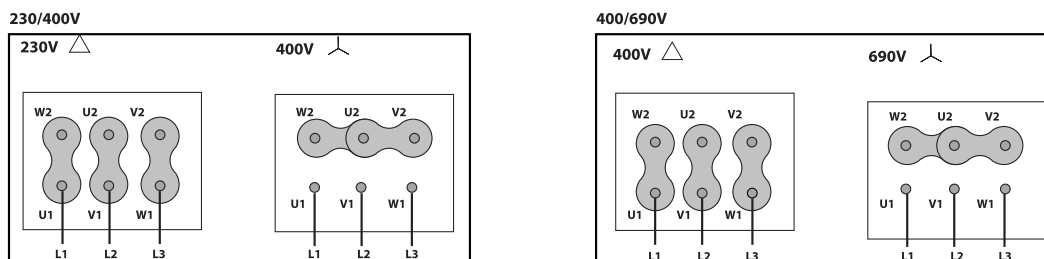
## DIMENSIONS



## Dimensions (mm)

A	460	B	392	C	297,5	D	211,5	E	86
ØF	366	ØG	9						

## WIRING DIAGRAM



## ACCESSORIES



**SAFETY SWITCH**  
**INT 25 3P A**  
REF: INT253PA



**Outlet protection guard for axial fans**  
**RPO 35**  
REF: 980000035



**PLASTIC GRAVITY SHUTTER**  
**PCP 35**  
REF: 963230105G



**ALUMINIUM GRAVITY SHUTTER**  
**PC2 40**  
REF: PC24040

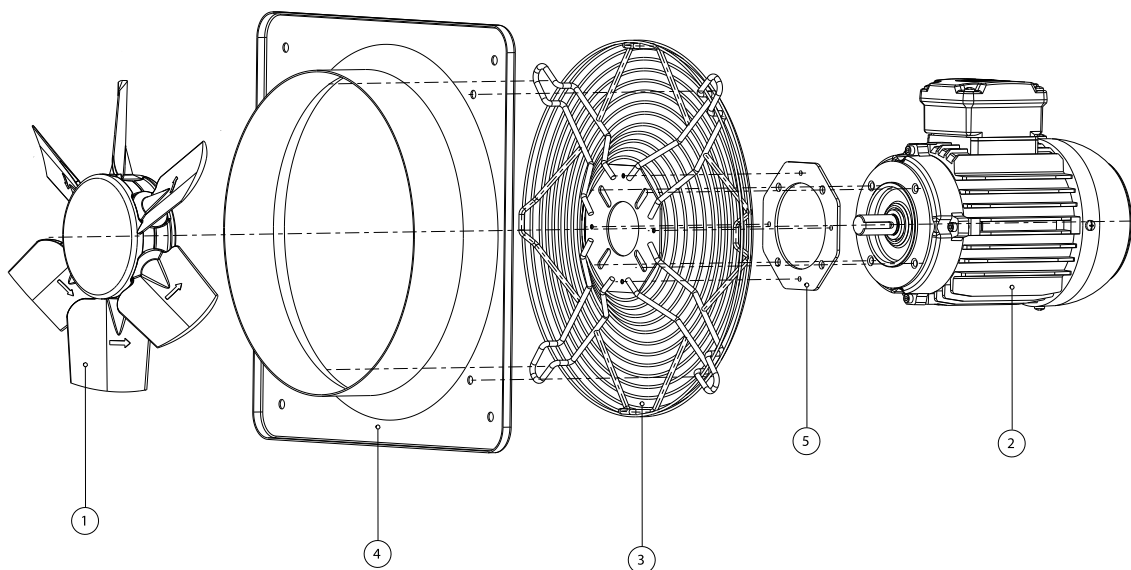


**FREQUENCY SPEED CONTROLLER**  
**SFC 230 I 2,5A \***  
REF: SFC230I003



**FREQUENCY SPEED CONTROLLER**  
**SFC 400 III 1,2A \***  
REF: SFC400III1

## SPARE PARTS



	Code	Model	Qty
1	R-H35006235PSTD	IMPELLER 350:AP0:6 G35 D14	x1
2	721001127IE2	MOTOR 0,25KW 1500 B14 230/400V.	x1
3	R-268351902	PROTECTION GRID HJBM35	x1
4	R-265351778A001	FRAME HJEM-HJBM35	x1
5	R-268351909	SUPPORT MOTOR DISC HJBM25-30-35-40-45 T.71	x1